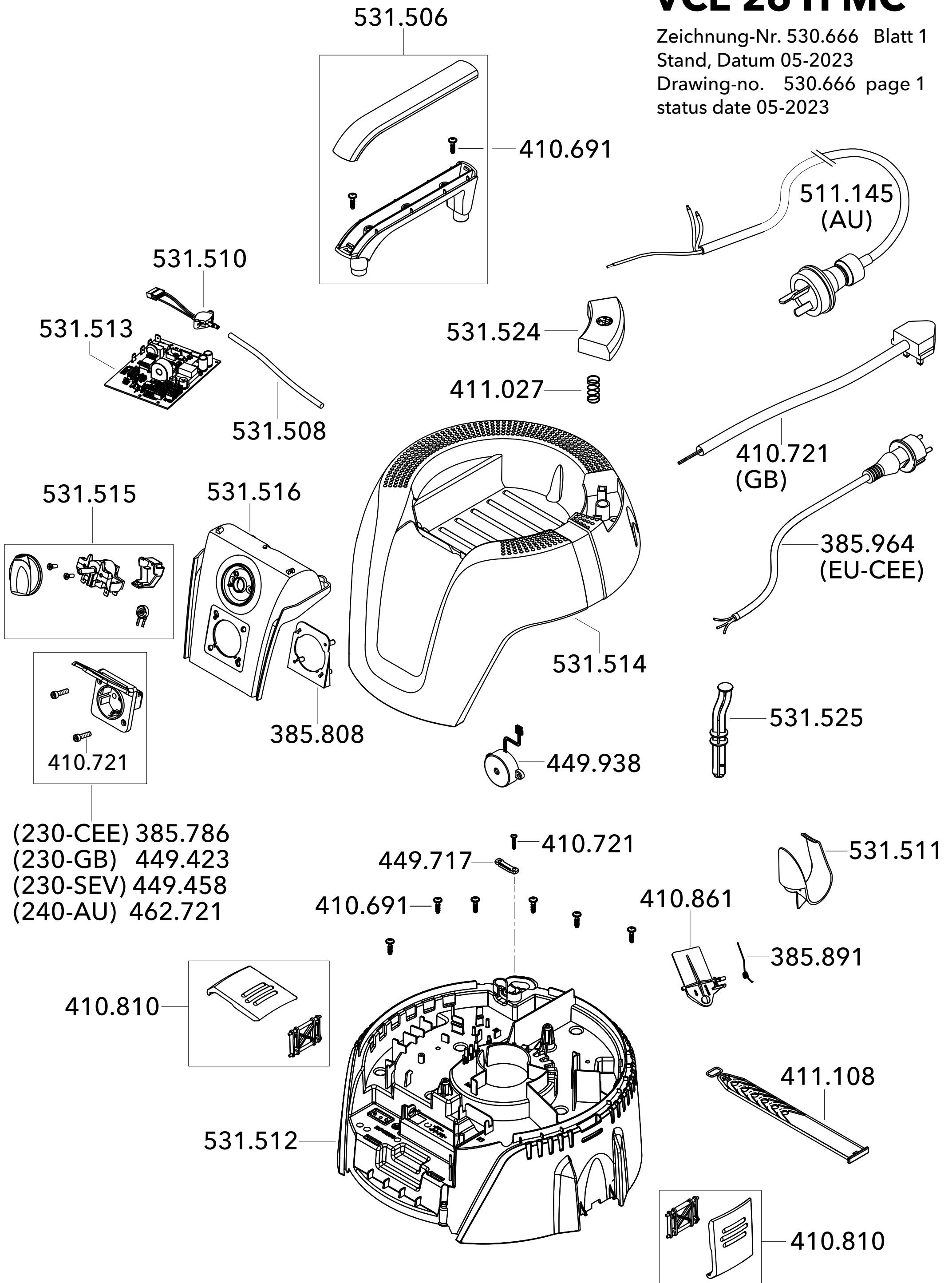


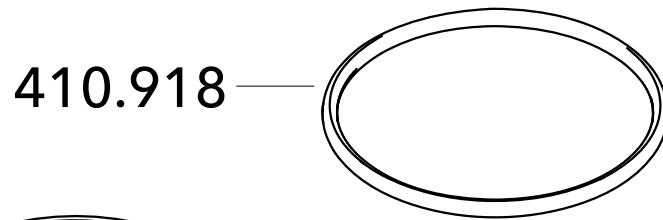
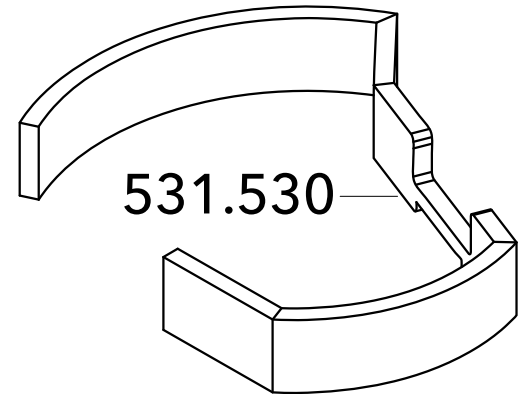
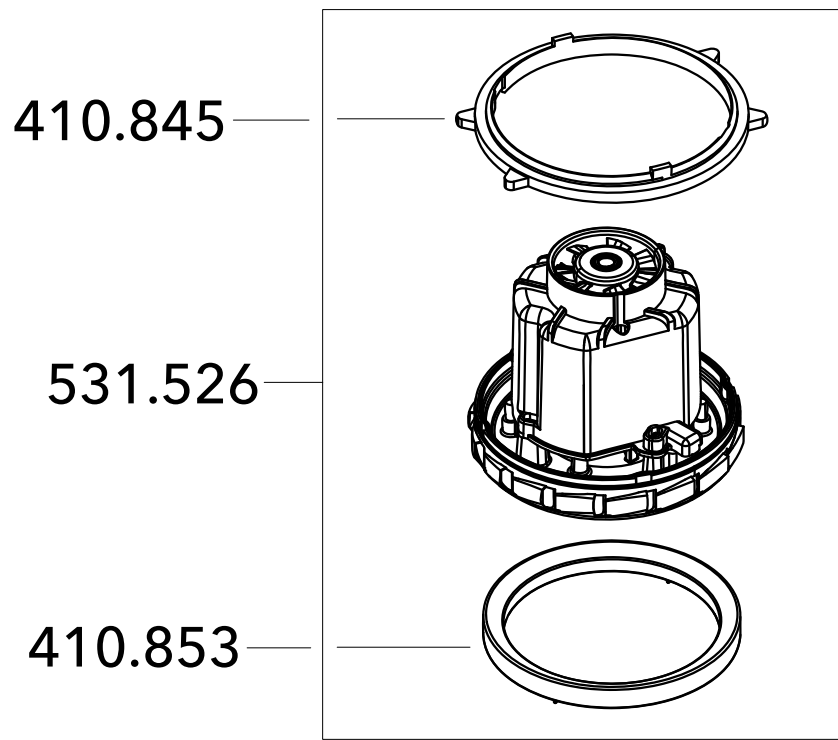
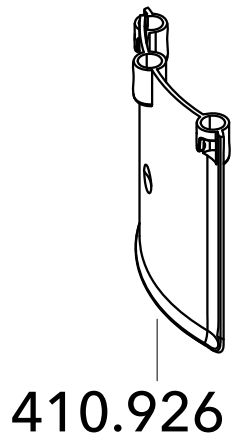
VCE 22 M MC VCE 26 H MC

Zeichnung-Nr. 530.666 Blatt 1
Stand, Datum 05-2023
Drawing-no. 530.666 page 1
status date 05-2023

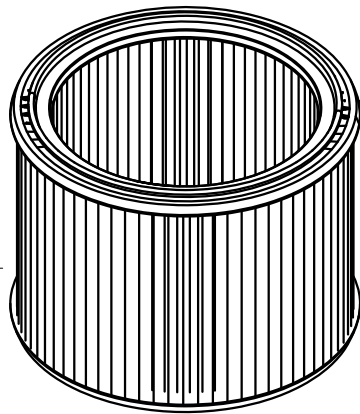


VCE 22 M MC VCE 26 H MC

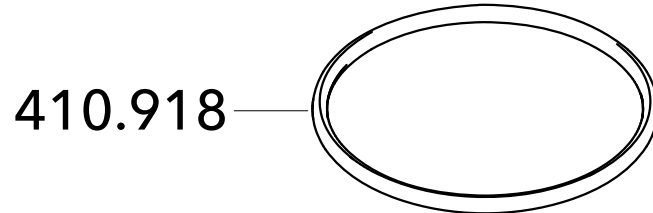
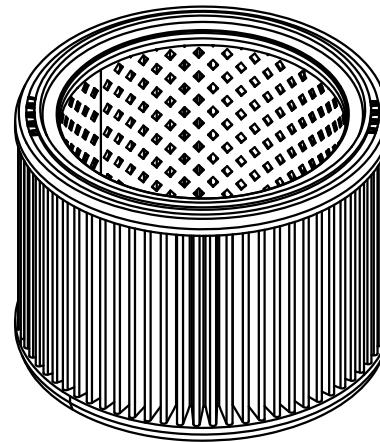
Zeichnung-Nr. 530.666 Blatt 2
Stand, Datum 05-2023
Drawing-no. 530.666 page 2
status date 05-2023



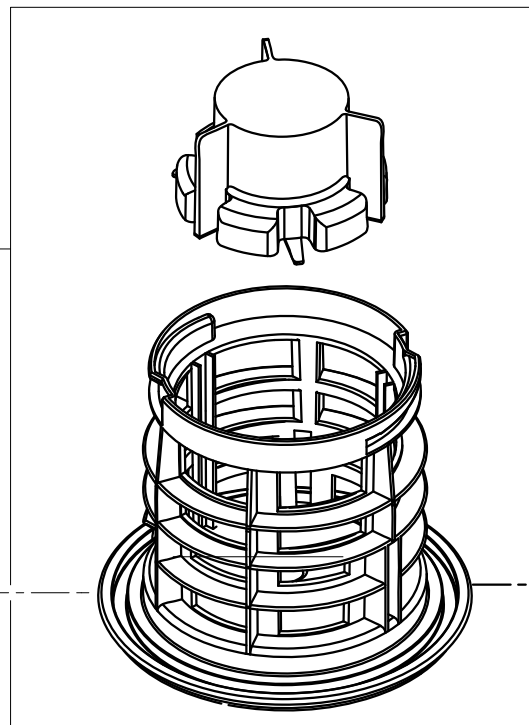
22 M
385.085



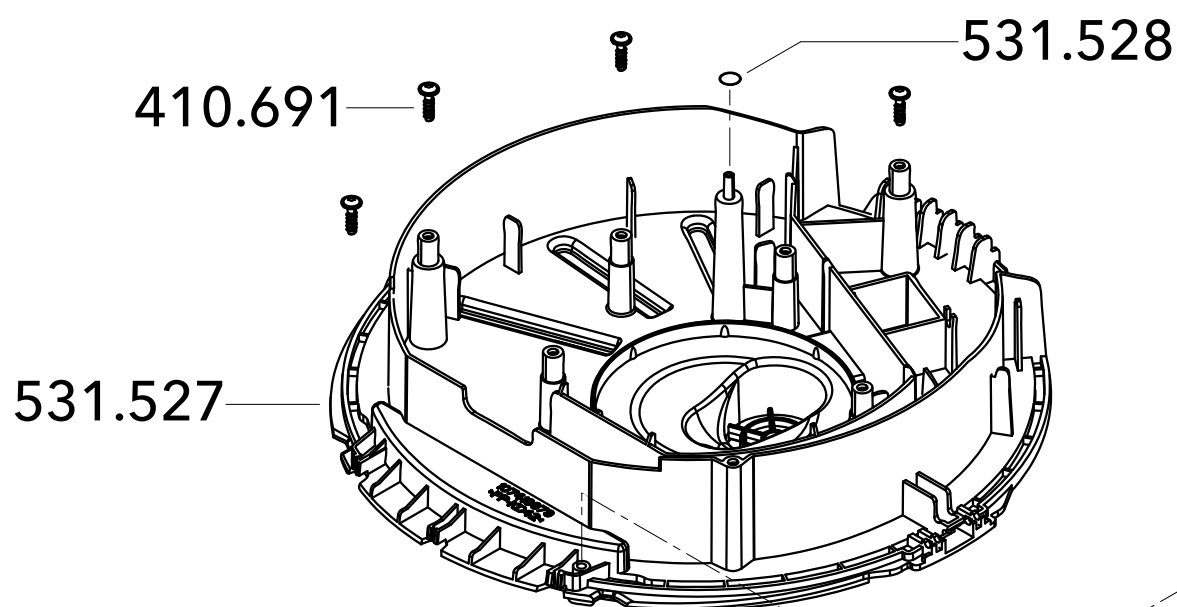
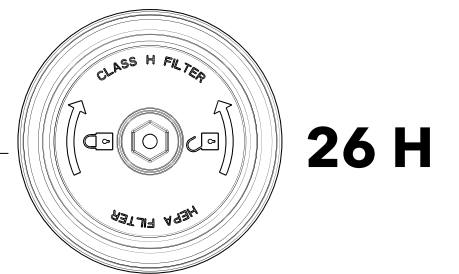
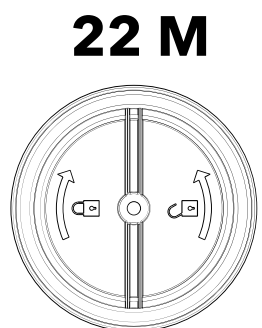
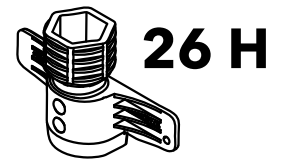
26 H
530.658



22 M
410.934

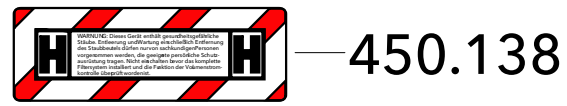
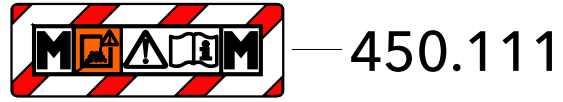


26 H
531.531



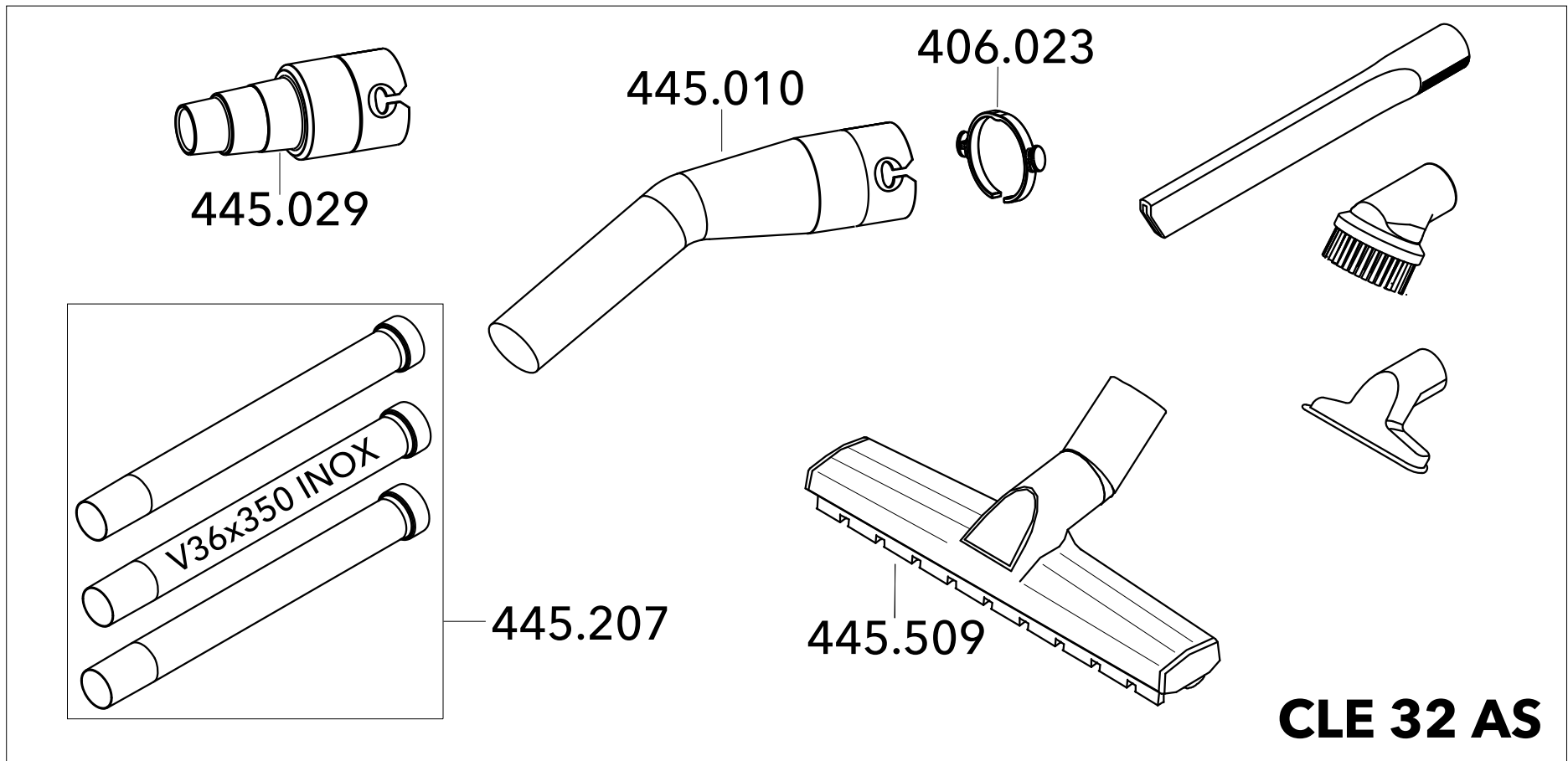
VCE 22 M MC VCE 26 H MC

Zeichnung-Nr. 530.666 Blatt 3
Stand, Datum 05-2023
Drawing-no. 530.666 page 3
status date 05-2023

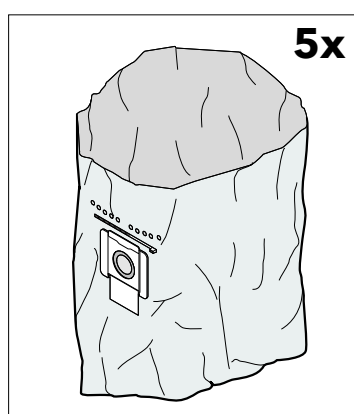
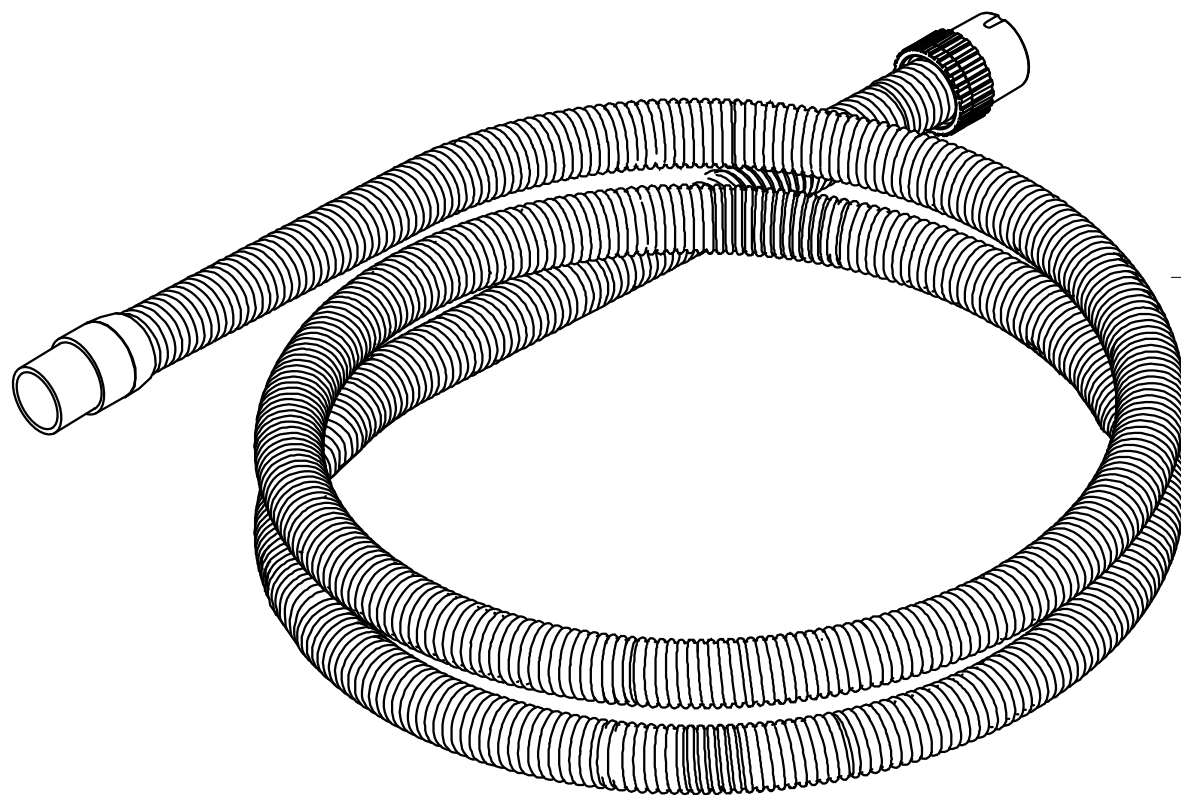


VCE 22 M MC VCE 26 H MC

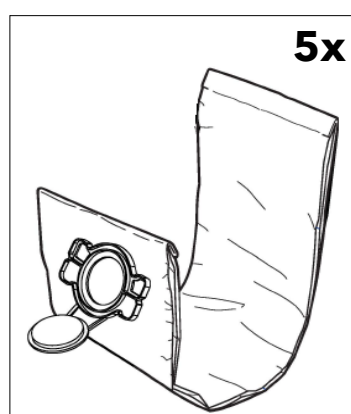
Zeichnung-Nr. 530.666 Blatt 4
Stand, Datum 05-2023
Drawing-no. 530.666 page 4
status date 05-2023



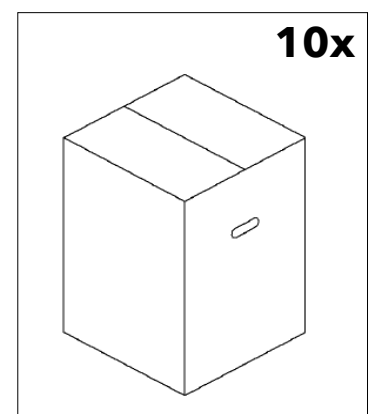
445.053



385.107



502.235



531.536