

ACCESSORIES

Standard seal

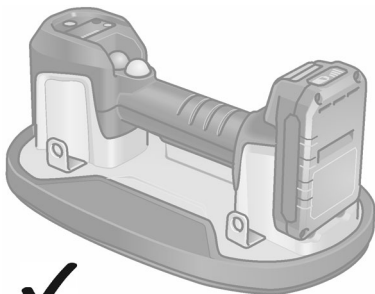
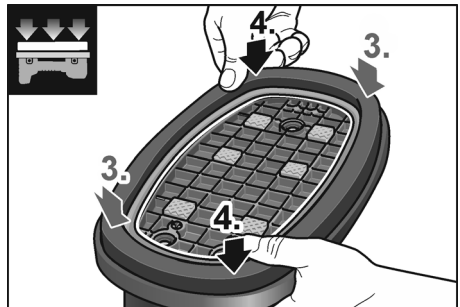
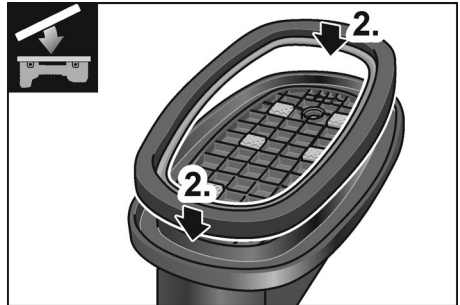
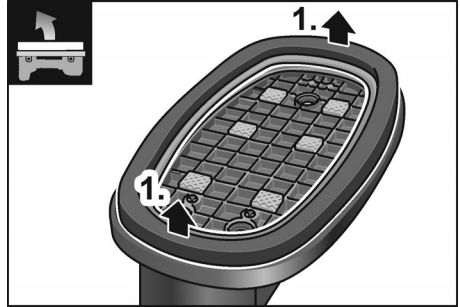
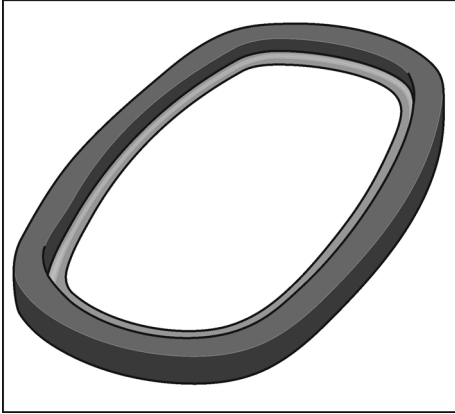
Brace seal

Rock seal



Standard seal

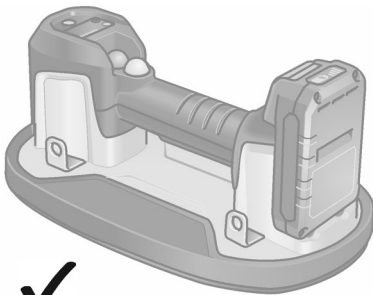
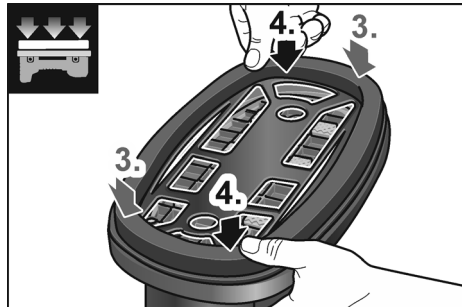
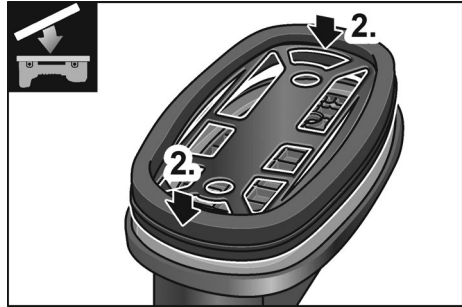
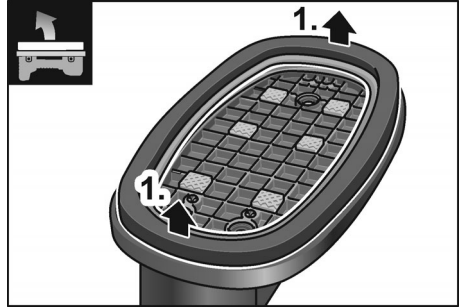
531333 / GRF-S VL



✓ 531330 / VLP 18

Brace seal

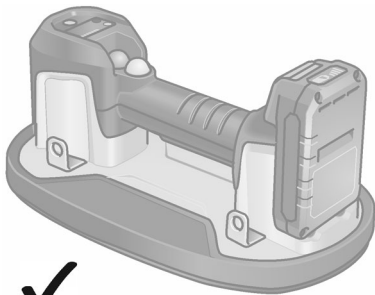
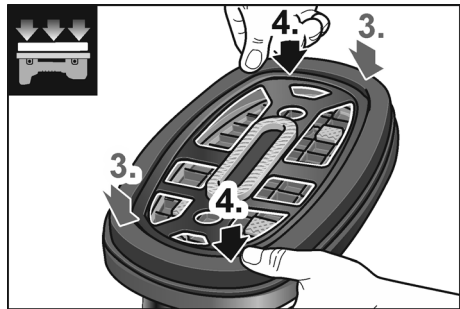
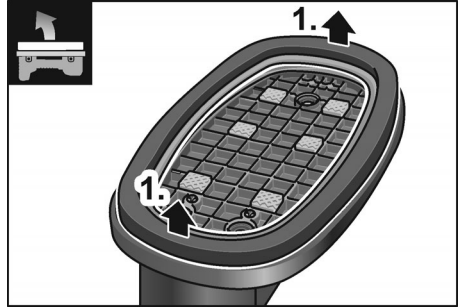
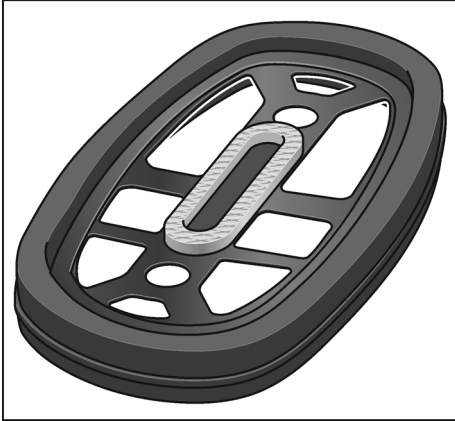
532781 / GRF-BS VL



531330 / VLP 18

Rock seal

531334 / GRF-RS VL



531330 / VLP 18

FLEX-Elektrowerkzeuge GmbH
Bahnhofstr. 15
71711 Steinheim/Murr

Tel. +49 (0) 7144 828-0
Fax +49 (0) 7144 25899

info@flex-tools.com
www.flex-tools.com
