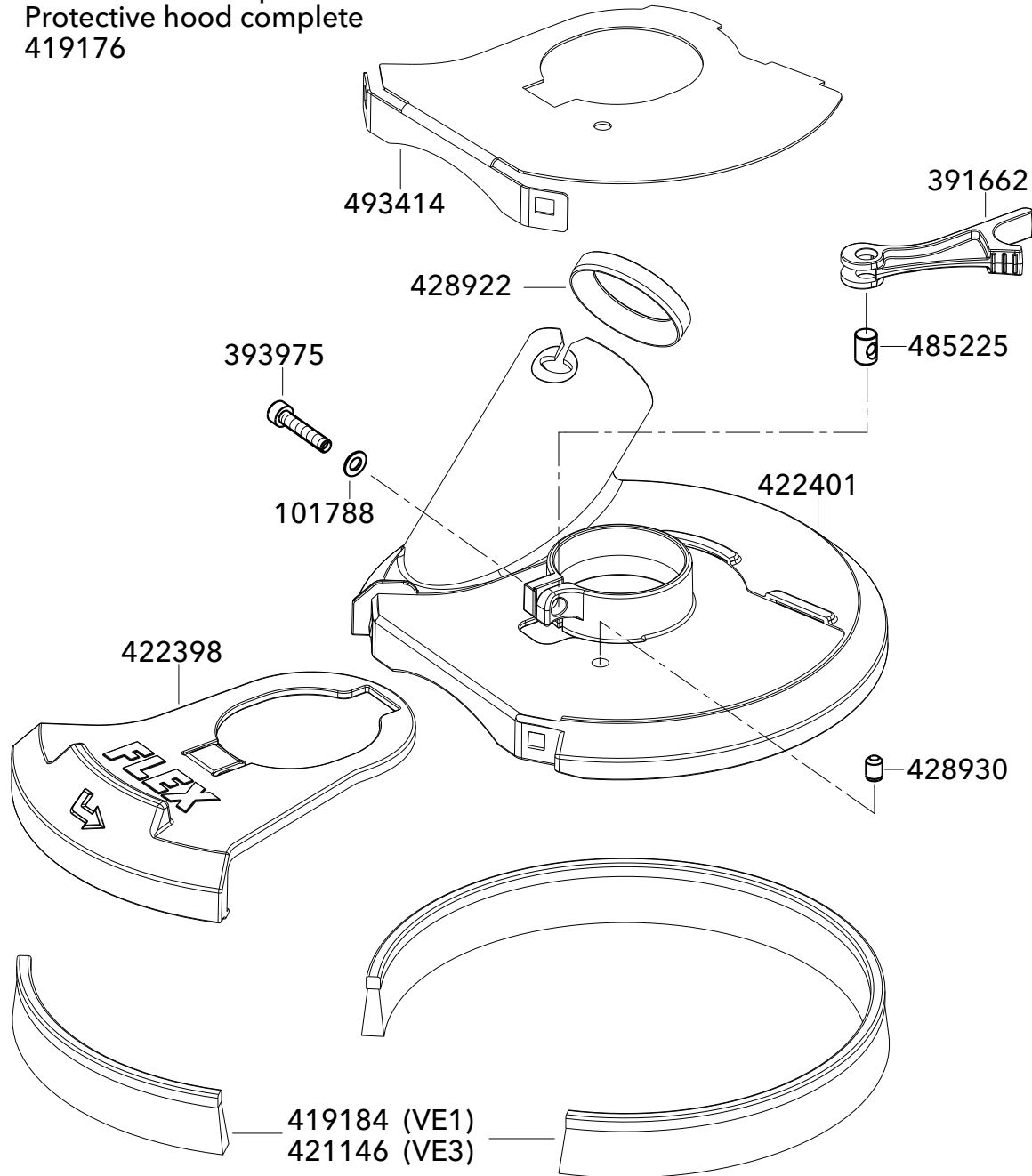


**SE 16-2 125** 230/CEE  
**SE 16-2 150**

Zeichng.-Nr. 534210 Datum 09-2024  
 Drawing-no. 534210 date 09-2024

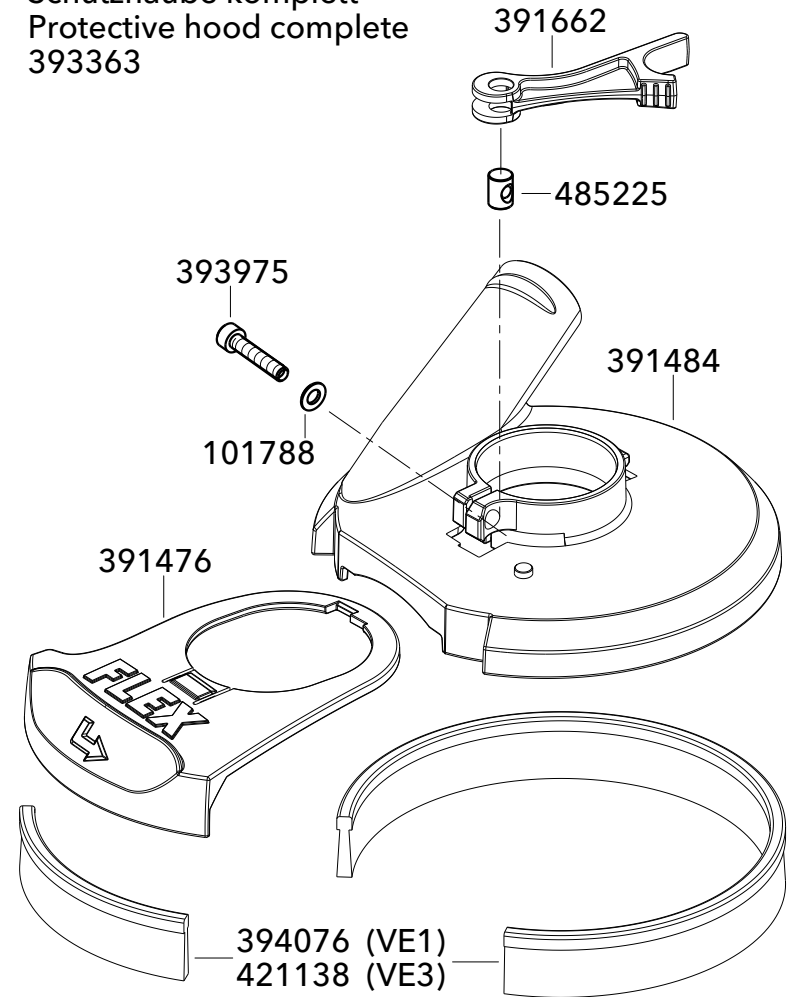
# Schutzhaube Ø 150 Protective hood

Schutzhaube komplett  
Protective hood complete  
419176



# Schutzhaube Ø 125 Protective hood

Schutzhaube komplett  
Protective hood complete  
393363



**SE 16-2 125** 230/CEE  
**SE 16-2 150**

Zeichng.-Nr. 534210 - Blatt 2 Datum 09-2024  
Drawing-no. 534210 - page 2 date 09-2024