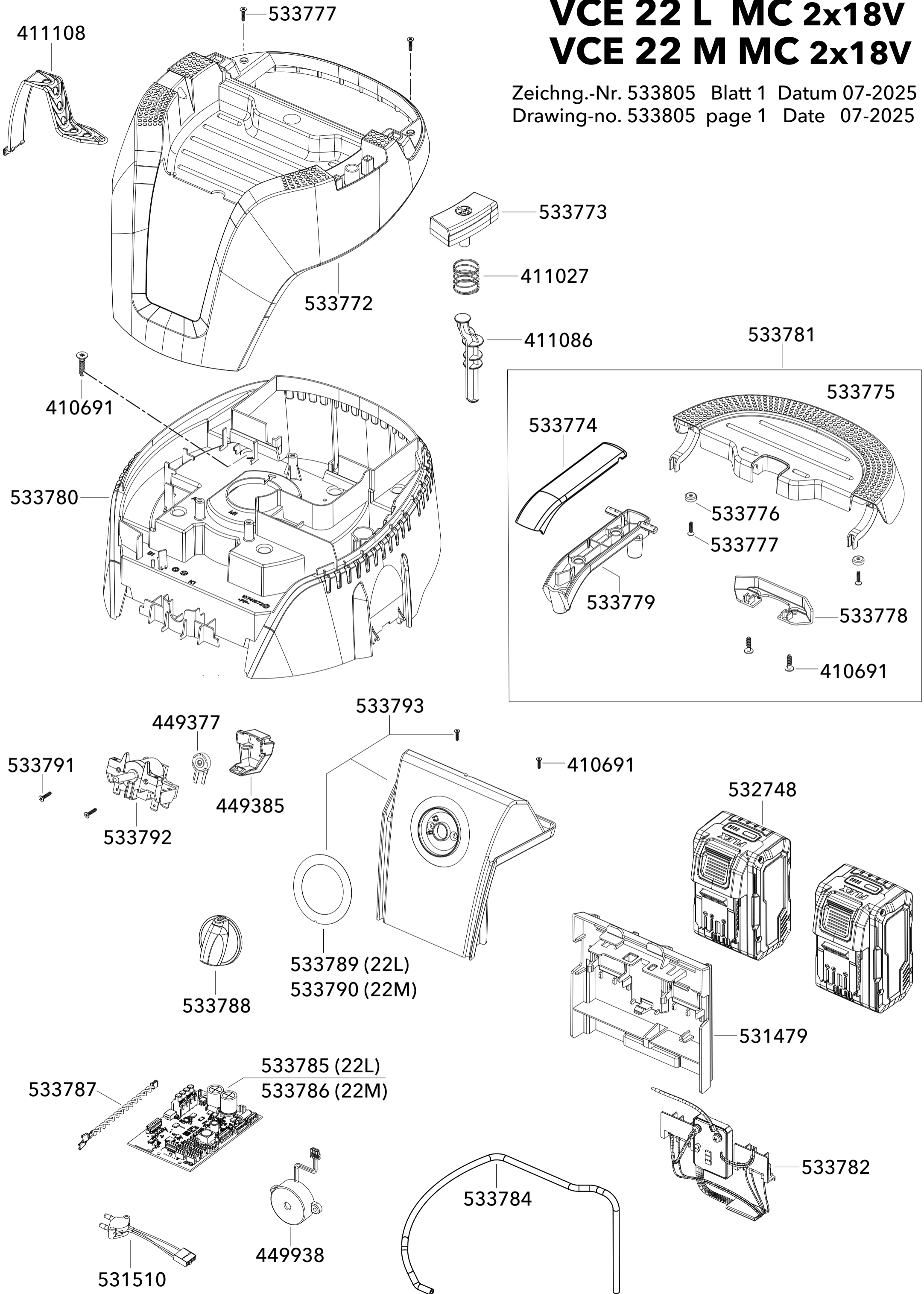


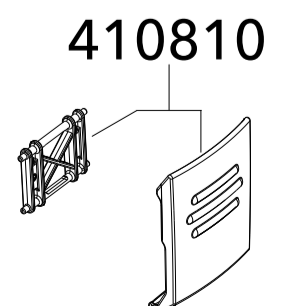
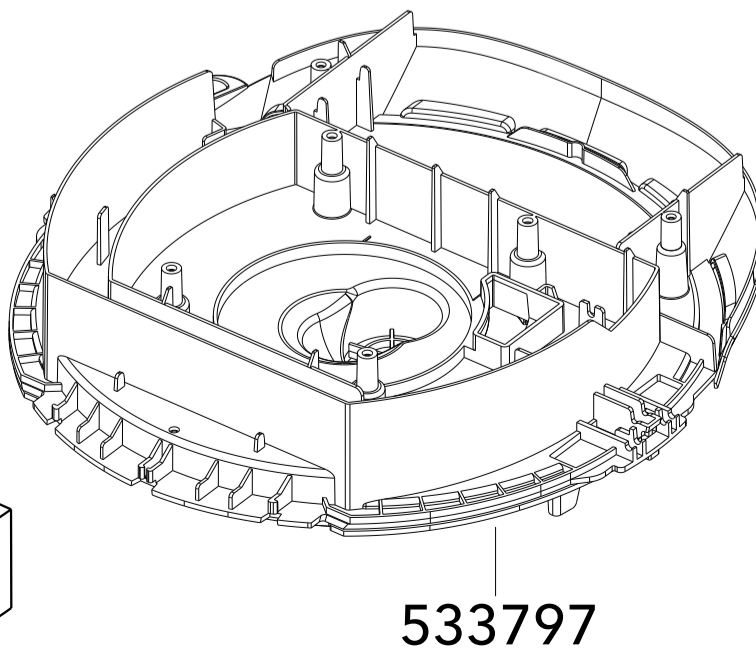
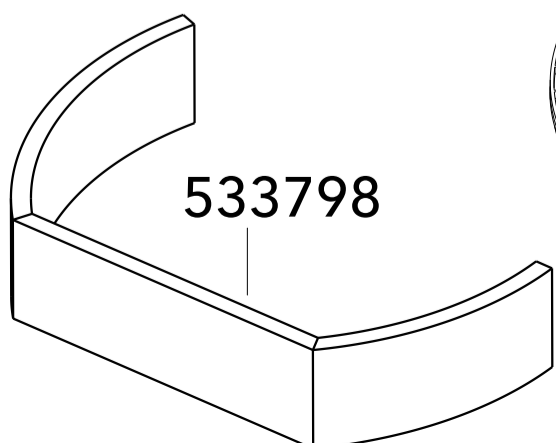
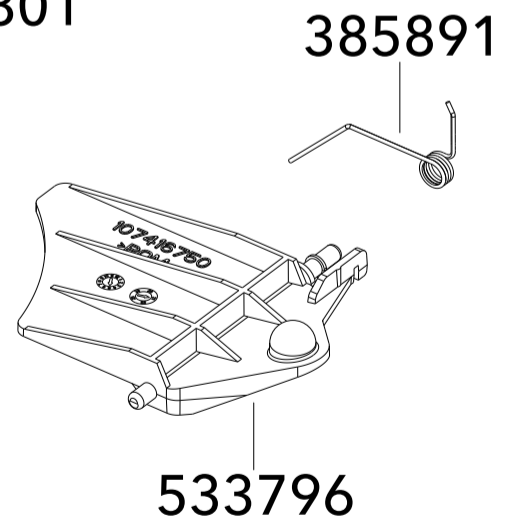
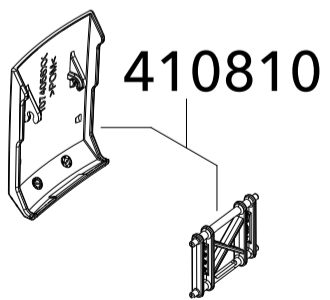
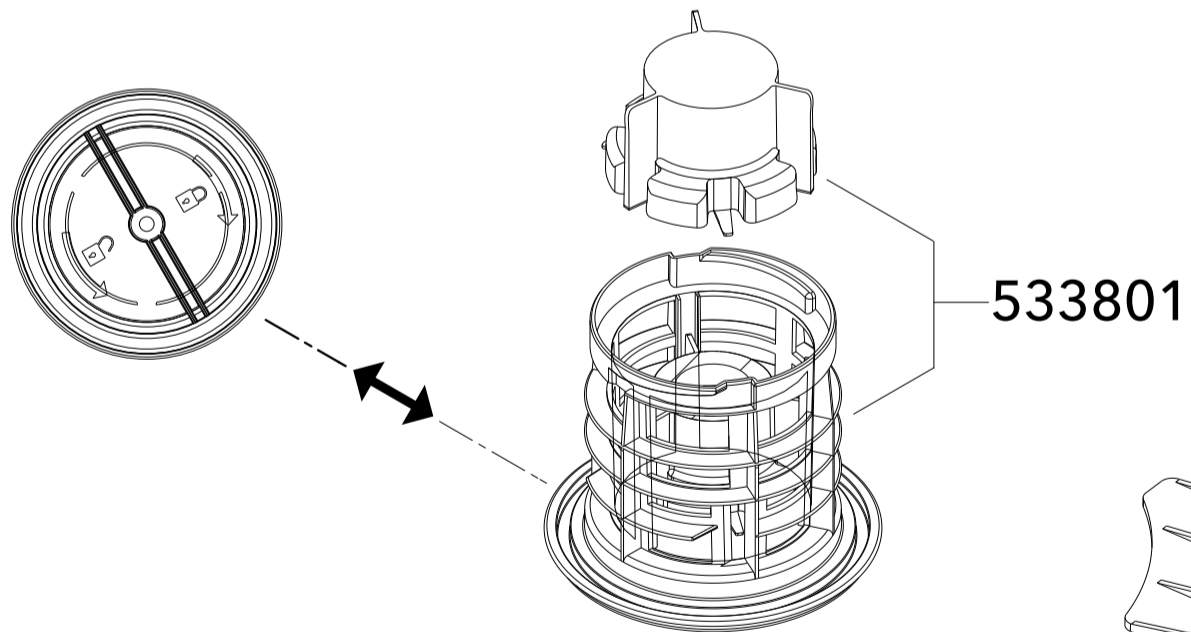
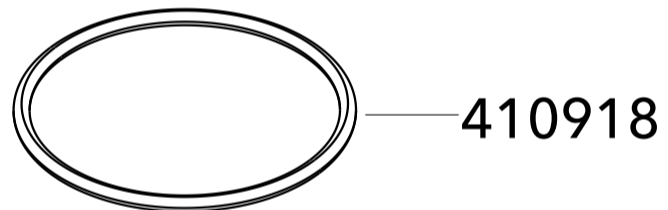
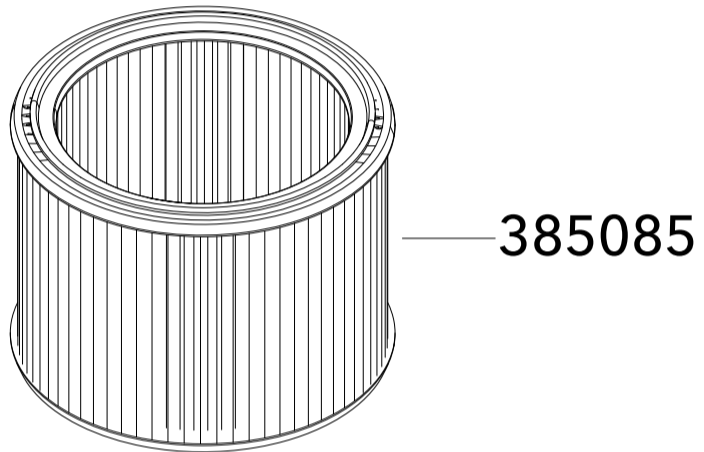
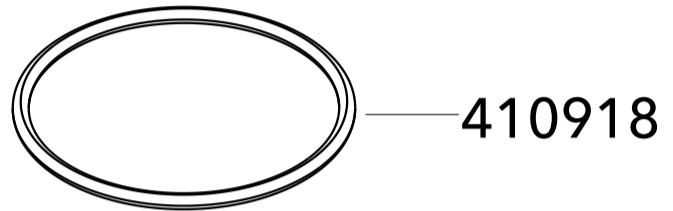
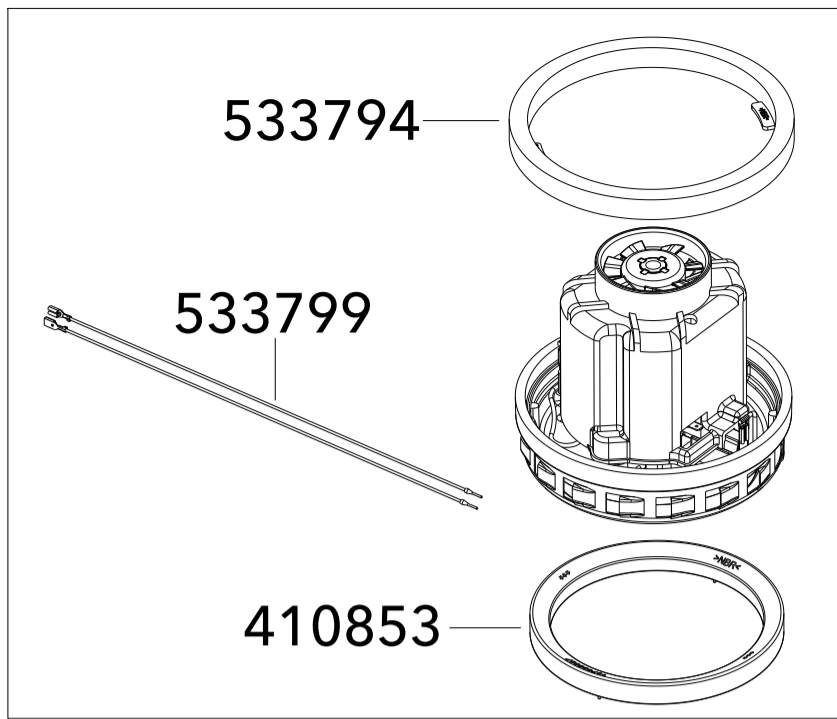
VCE 22 L MC 2x18V VCE 22 M MC 2x18V

Zeichng.-Nr. 533805 Blatt 1 Datum 07-2025
Drawing-no. 533805 page 1 Date 07-2025



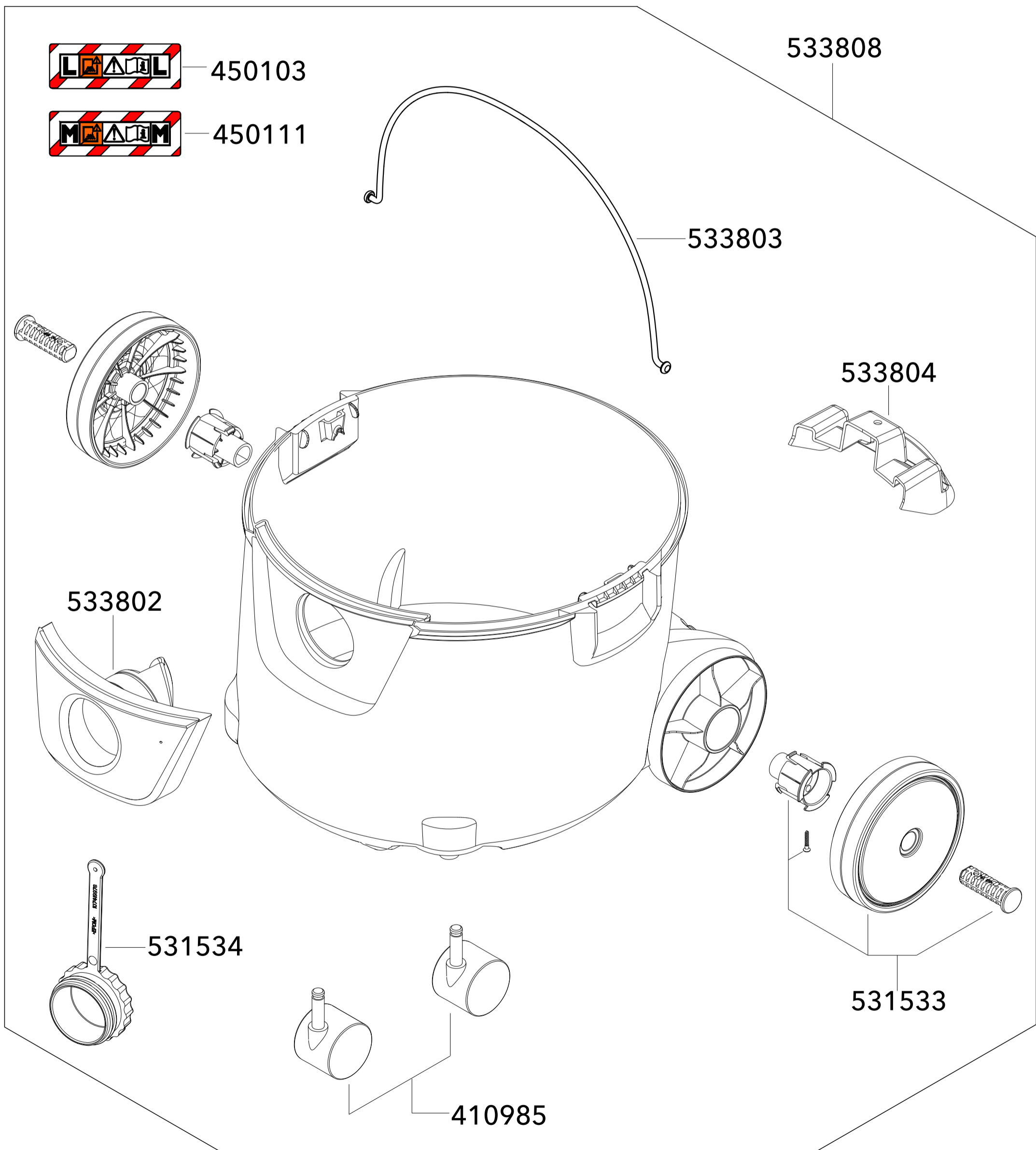
VCE 22 L MC 2x18V VCE 22 M MC 2x18V

Zeichng.-Nr. 533805 Blatt 2 Datum 04-2026
Drawing-no. 533805 page 2 Date 04-2026



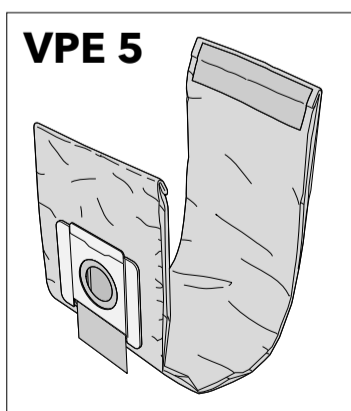
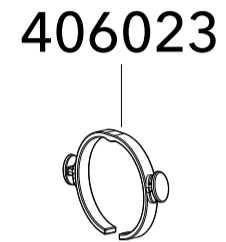
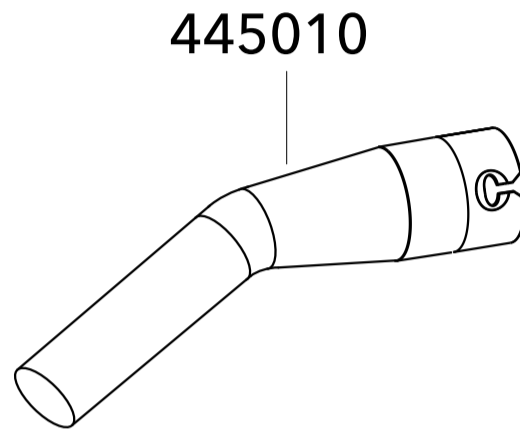
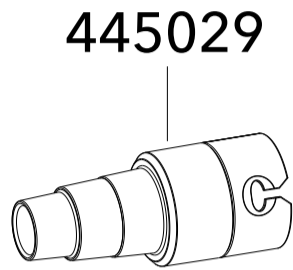
VCE 22 L MC 2x18V VCE 22 M MC 2x18V

Zeichng.-Nr. 533805 Blatt 3 Datum 07-2025
Drawing-no. 533805 page 3 Date 07-2025



VCE 22 L MC 2x18V VCE 22 M MC 2x18V

Zeichng.-Nr. 533805 Blatt 4 Datum 07-2025
Drawing-no. 533805 page 4 Date 07-2025



502235

