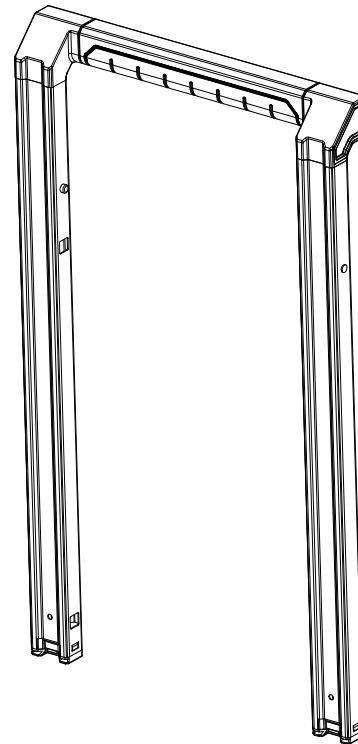
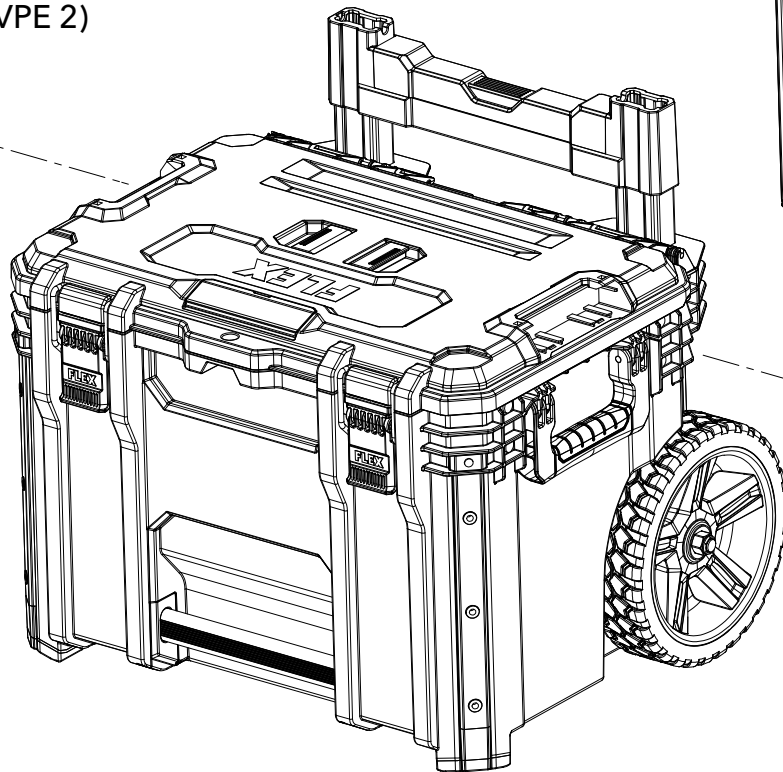
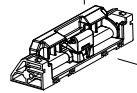
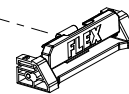


532.706 (VPE 2)



532.705



TK-L SP RB

Zeichng.-Nr. 532.704 Datum 11-2023

Drawing-no. 532.704 date 11-2023